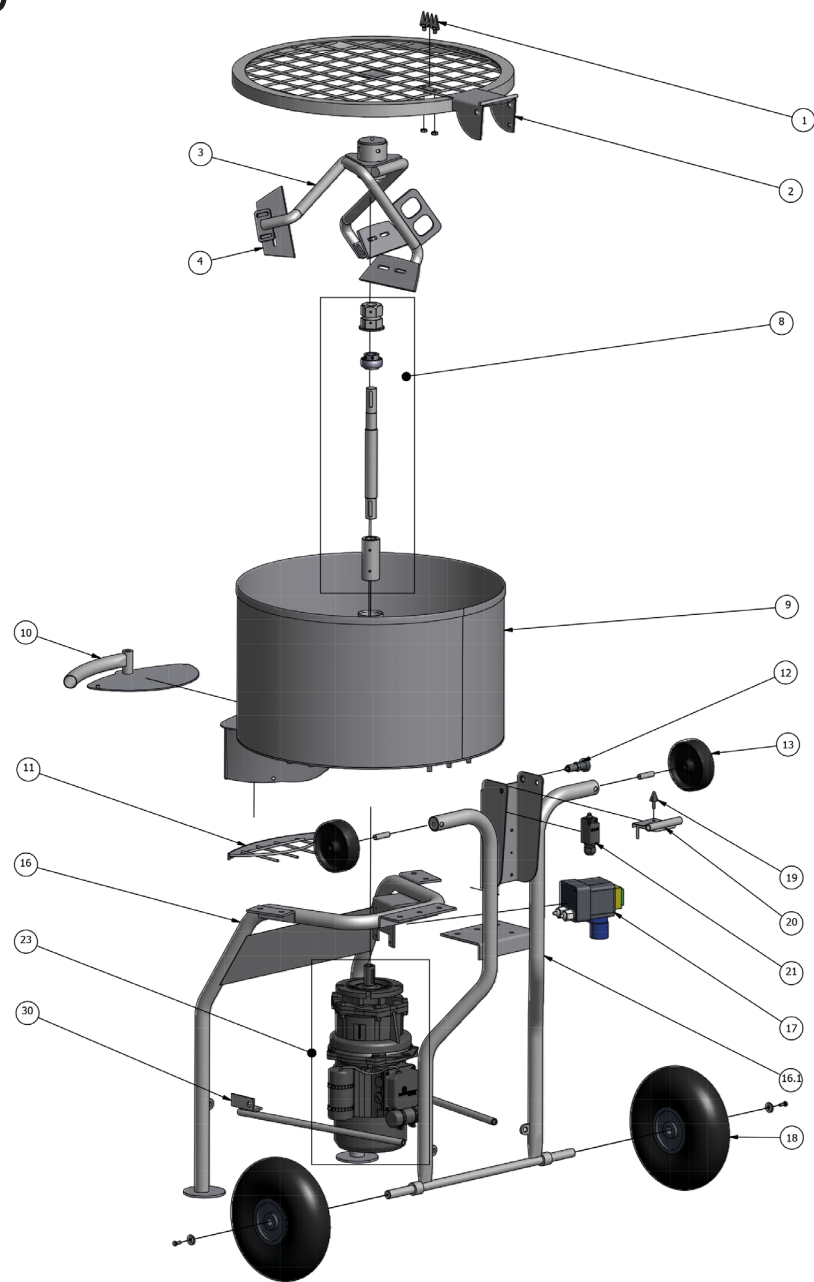


E120



POS.	PART NO.	DESCRIPTION
1	50641	Sack knife, complete
2	50540	Cover
3	50421	Mixer head (without shovels)
4	50443	Metalshovels, complete set (3 pcs)
8	50650	Drive shaft, complete
9	50502	Container
10	50374	Trapdoor, complete
11	50350	Outlet protection
12	50328	Positioning bolt
13	50343	Transport wheel, complete (1 pc)
16	50526	Front frame
16,1	50528	Back frame
17	50300	Main switch, 240V
18	50340	Wheel, 20x75 (1 pc)
19	50327	Rubber damper
20	50601	Plate for cover switch
21	50326	Mechanical cover switch
23	50200	Motor + gear, 2.0kW 240V, Fabrika
30	50571	Connection bar set (2 pcs)

POS.	PART NO.	OTHER SPARE PARTS
	50460	Rubber shovels, complete set (3 pcs)
	50201	Motor + gear, 2.0kW 110V, Fabrika
	50221	Motor, 2.0kW 110V, Fabrika
	50220	Motor, 2.0kW 240V, Fabrika
	50222	Motor, 2.0kW 3x380V, Fabrika
	50230	Gear for E90/E120/M80, Fabrika
	50233	Vario speed gear
	50306	Main switch, 110V 16-20A
	50302	Main switch, 380V
	50324	E-stop lid for main switch
	30300	Rubber protection f/on-off
	50323	Emergency stop f/mixer yellow, old model
	50261	Main relais, 16-20A
	50270	Undervoltage relais, 110V
	50271	Undervoltage relais, 240V
	50272	Undervoltage relais, 380V
	50620	Dust lid (Cover)
	50628	Filling cap for dust cover
	50613	Bucket support complete
	50103	CEE adapter
	50105	Adapter cable 240V 10A 1m CEE/Schuko plug
	50321	Klixon-relais